



# Gunclean Toftejorg TZ-82P

## Tank and hold cleaning machine

The Gunclean Toftejorg TZ-82P portable rotary jet head provides 360° indexed impact cleaning over a defined time period. It is automatic and represents a guaranteed means of achieving quality from cleaning tanks.

### Application

Storage and transportation tanks up to 3,000 m<sup>3</sup> (800,000 US gallons). Used on tankers and in petro-chemicals and chemical processing industries. The TZ-82 portable equipment is widely used in chemical and product tankers.

### Operation

The flow of the cleaning fluid makes the nozzles perform a geared rotation around the vertical and horizontal axes. In the first cycle, the nozzles lay out a coarse pattern on the tank surface. The following cycles make the pattern gradually more dense until a full pattern is reached after 4 cycles.

### Options

- The choice of nozzle diameters can optimize jet impact length and flow rate at the desired pressure.
- Hose saddle, deck cover plate, hose winch extension pipe etc. are available.
- Alternative thread connections and camlock connection available on request.
- Longer jet lengths using special cleaner head and nozzles.

### Regulations

The equipment fully complies with IMO regulations and the requirements of the classifications societies.

### Ordering information

Please specify nozzle size, inlet/guide configuration, connections and confirm application suitability.

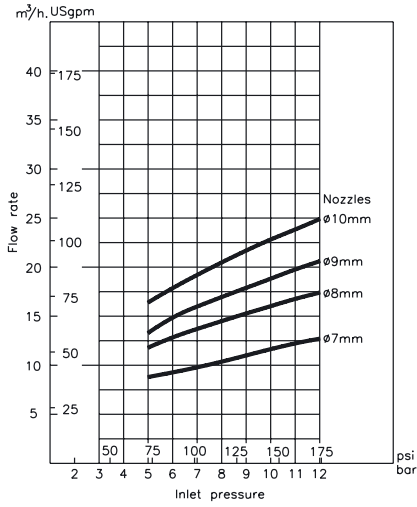


Gunclean Toftejorg TZ-82P.

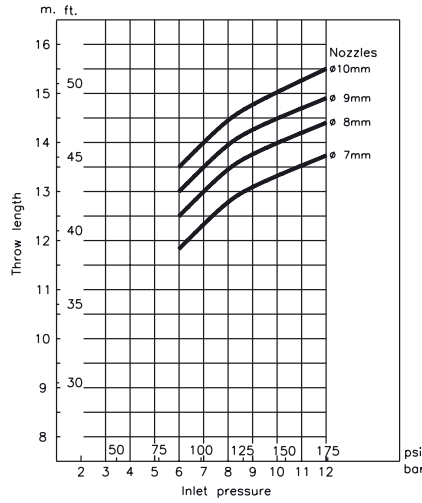
### Specifications

Materials, main parts	Stainless steel AISI 316L
Weight	
Portable model	6.6 kg (14.6 lbs)
Lubricant	Self-lubricating with the cleaning fluid
Working pressure	5–12 bar (72–174 psi)
Recommended pressure	5–10 bar (72–145 psi)
Capacity	8–23 m <sup>3</sup> /hour
Max. working temperature	95°C (203°F)
Installation	
Portable	Standard thread 1 1/2" BSP

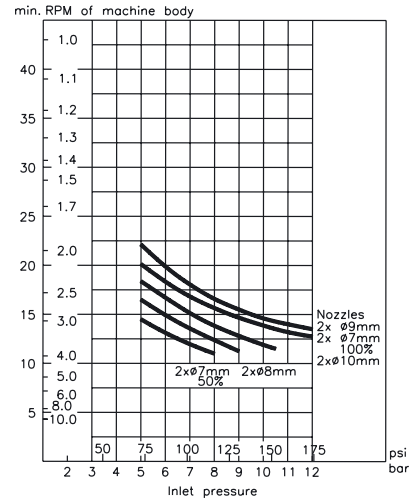
**Performance data:**  
**Flow rate**



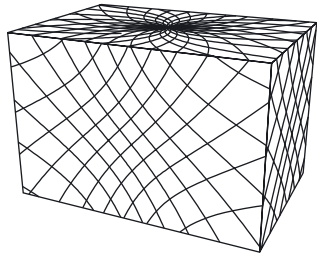
**Recommended design throw length at static condition**



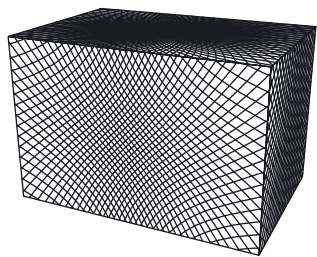
**Cleaning time, complete pattern**



**Cleaning pattern**

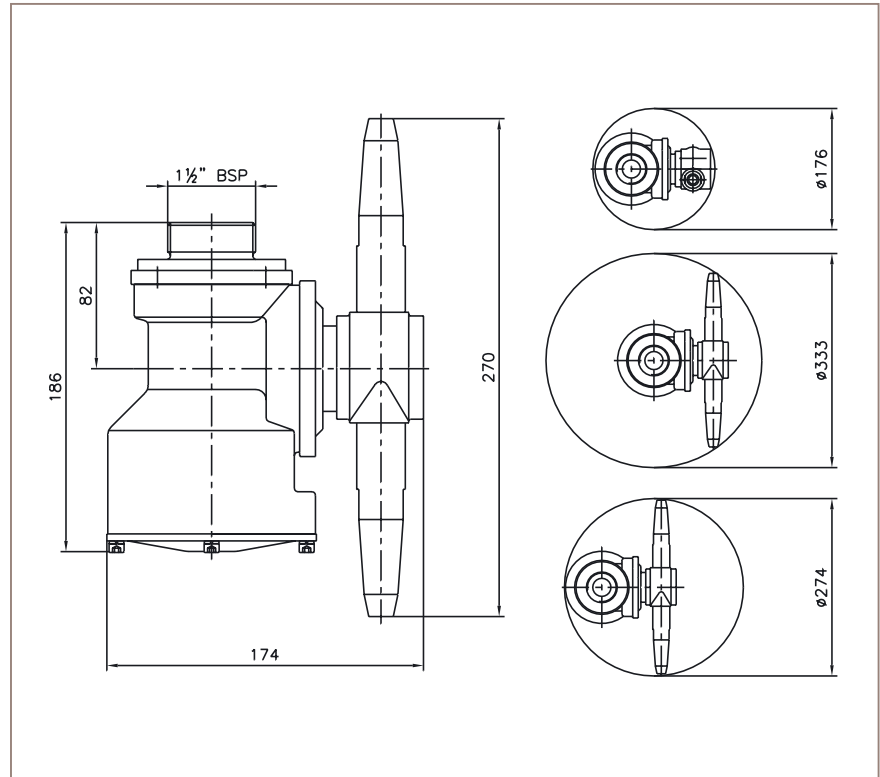


First cycle



Full pattern

**Dimensions (mm)**



EMD00029EN 0511

Alfa Laval reserves the right to change specifications without prior notification.

**How to contact Alfa Laval**

Up-to-date Alfa Laval contact details for all countries are always available on our website at [www.alfalaval.com](http://www.alfalaval.com)