

Fast, Effective Impact Cleaning

Alfa Laval TJ TZ-74 Self Cleaning Version Rotary Jet Head

Application

The Toftejorg TZ-74 Self Cleaning Version rotary jet head provides 3D indexed impact cleaning over a defined time period. It is automatic and represents a guaranteed means of achieving quality assurance in tank cleaning. The device is suitable for processing, storage and transportation tanks and vessels between 50 and 500 m³. Used in breweries, food and dairy processes and many other industries with a strict demand for self cleaning of the machine and the downpipe. The Toftejorg TZ-74 Self Cleaning Version rotary jet head has been particularly successful in the brewing industry worldwide.

Working principle

The flow of the cleaning fluid makes the nozzles perform a geared rotation around the vertical and horizontal axes. In the first cycle, the nozzles lay out a coarse pattern on the tank surface. The subsequent cycles gradually make the pattern more dense, until a full pattern is reached after 8 cycles.



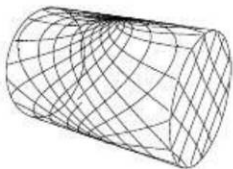
TECHNICAL DATA

Lubricant: Self-lubricating with the cleaning fluid
 Standard Surface finish: Ra 0.5µm exterior
 Max throw length: 7 - 15 m
 Impact throw length: 4 - 9 m

Pressure

Working pressure: 3 - 12 bar
 Recommended pressure: 5 - 6.5 bar

Cleaning Pattern



First cycle



Full pattern

The above drawings show the cleaning pattern achieved on a cylindrical horizontal vessel. The difference between the first cycle and the full pattern represents the number of additional cycles available to increase the density of the cleaning.

Certificates

2.1 material certificate and ATEX.

PHYSICAL DATA

Materials

316L (UNS S31603), PTFE, PEEK, ETFE, TFM

Temperature

Max. working temperature: 95 °C
 Max. ambient temperature: 140 °C

Weight:

. 6.1 kg

Connections

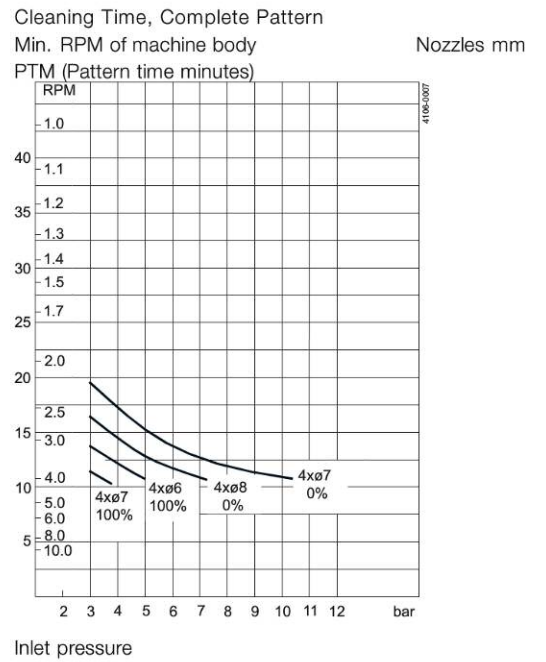
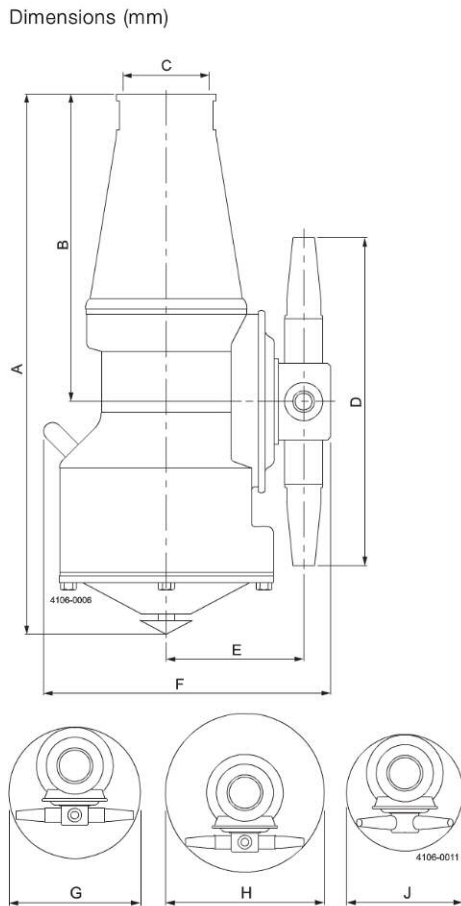
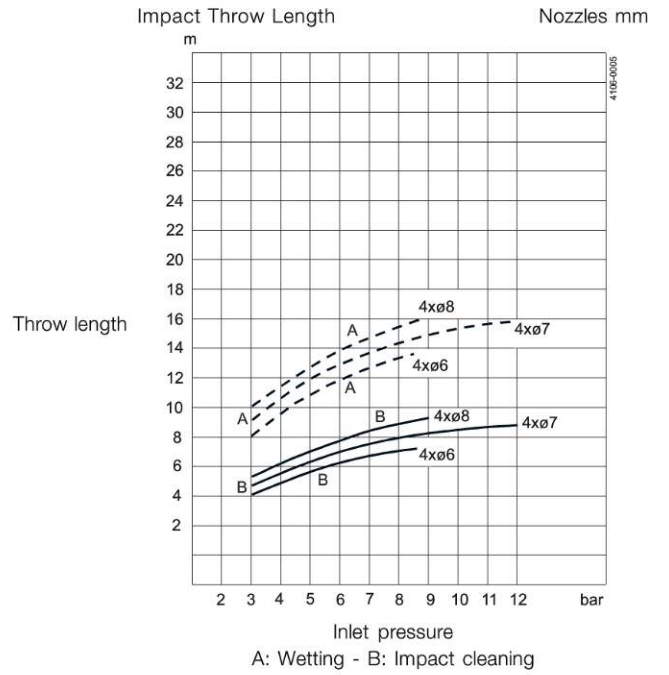
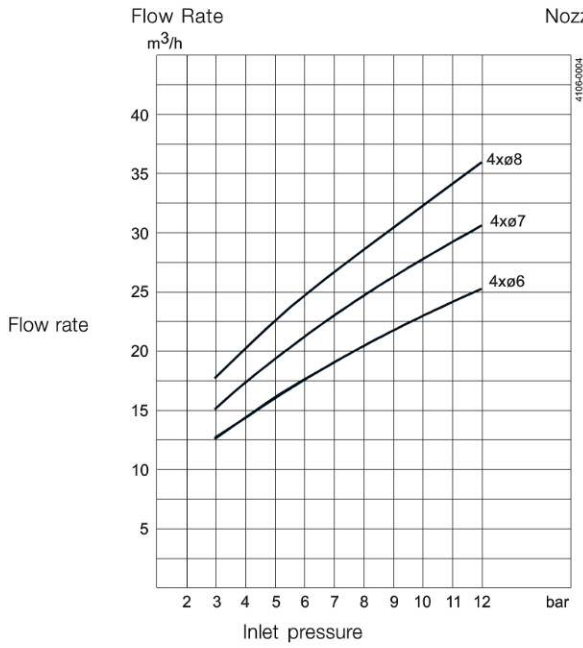
Standard female thread: 1 ½" Rp (BSP) or NPT, 2" NPT

Options

Electronic rotation sensor to verify 3D coverage.

Caution

Do not use for gas evacuation or air dispersion.



A	B	C	D	E	F	G	H	J
297	170	1½" BSP or 1 ½" / 2" NPT	204	78	152	ø225	ø264	ø190